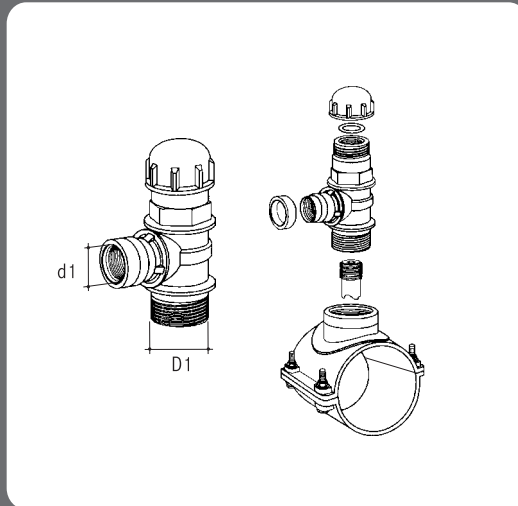


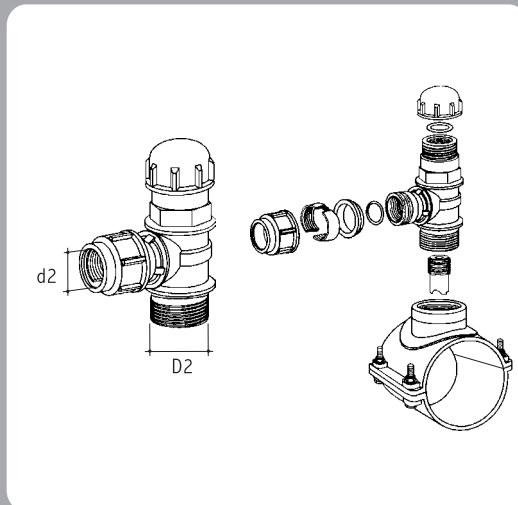
## ■ THERMOPLASTIC FERRULE (C / W CUTTER)

### For threaded connection



MEASUREMENT		
CODE NO.	D1 x d1(BSP)	
TFF 10012	1"	1/2"
TFF 10034		3/4"
TFF 10010		1"
TFF 11412	1 1/4"	1/2"
TFF 11434		3/4"
TFF 11410		1"

### For PE pipes connection



MEASUREMENT		
CODE NO.	D2 x d2(mm)	
TFPE 10020	1"	20
TFPE 10025		25
TFPE 10032		32
TFPE 11420	1 1/4"	20
TFPE 11425		25
TFPE 11432		32



### ALLEN KEY